

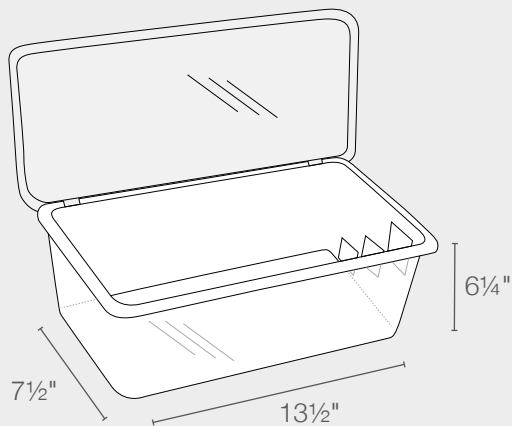
# C-Tub<sup>®</sup>

## Instrument Receptacle for Disinfectant/ Sterilant Solutions Manufacturer No. 0106

The C-Tub is a functional and durable instrument receptacle that holds up to one gallon of ready-to-use solution. Its frosted, semi-transparent tub and see-thru lid make it easy to view the contents inside. Both large and small instruments can be disinfected or sterilized in the C-Tub with its inner and mini baskets. It holds up to three times as many instruments as a conventional disinfecting tray, while occupying the same amount of counter space. Constructed of durable plastic, C-Tub is highly resistant to chemicals and impact. C-Tub has no hardware to corrode, no moving parts to break, and requires no assembly.

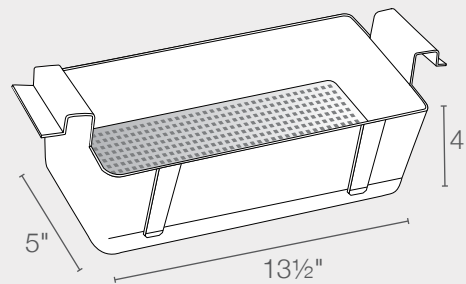


### C-Tub With Lid



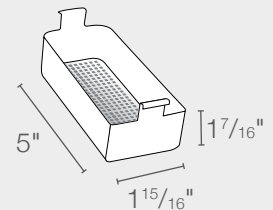
- Lid lifts off C-Tub making it safe and easy when pouring out old solution, reducing risk of accidental splashing.
- See-thru lid and semi-transparent tub allows you to easily see items inside without opening lid, reducing exposure to chemicals.
- Fluid level indicators allow for mixing of solution directly into C-Tub.

### Inner Basket



- Integral hooks that fit into lip of C-Tub.
- Basket contents drain thoroughly unattended.
- Never touches bottom, eliminating accumulation of debris on instruments.
- Lift by the handles, automatically placing C-Tub lid in open position.

### Mini Basket



- Fits into larger, inner basket for small items.

Printed in U.S.A.  
04CETY2021

Cetylite Inc.  
9051 River Road  
Pennsauken, NJ 08110  
856-665-6111  
marketing@cetylite.com